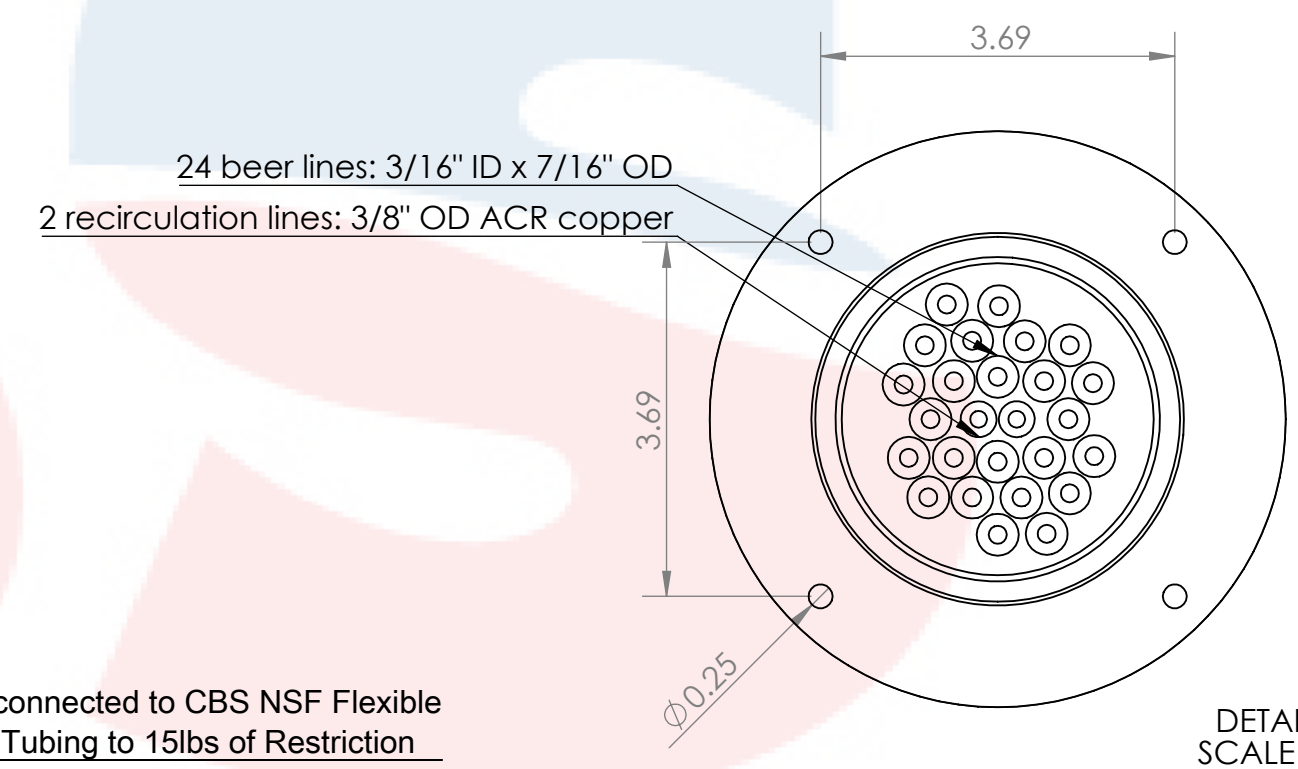
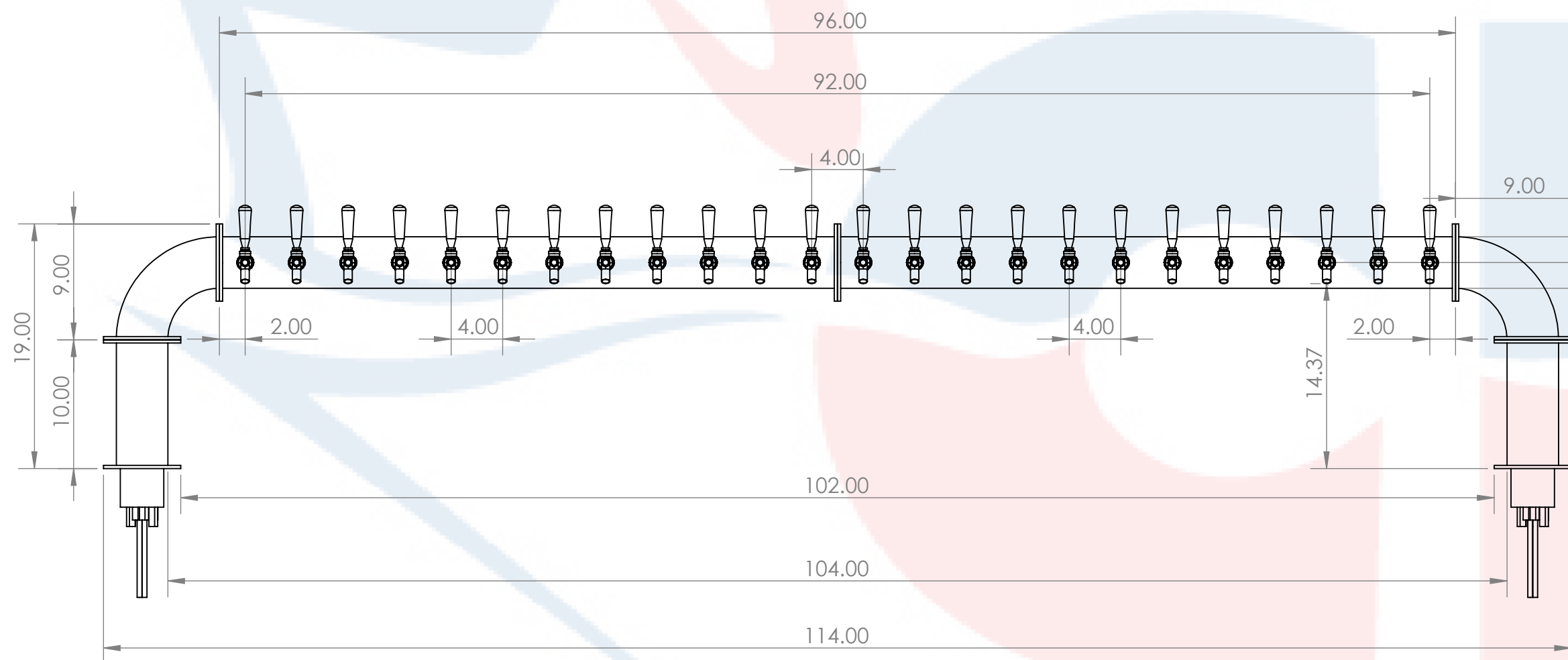
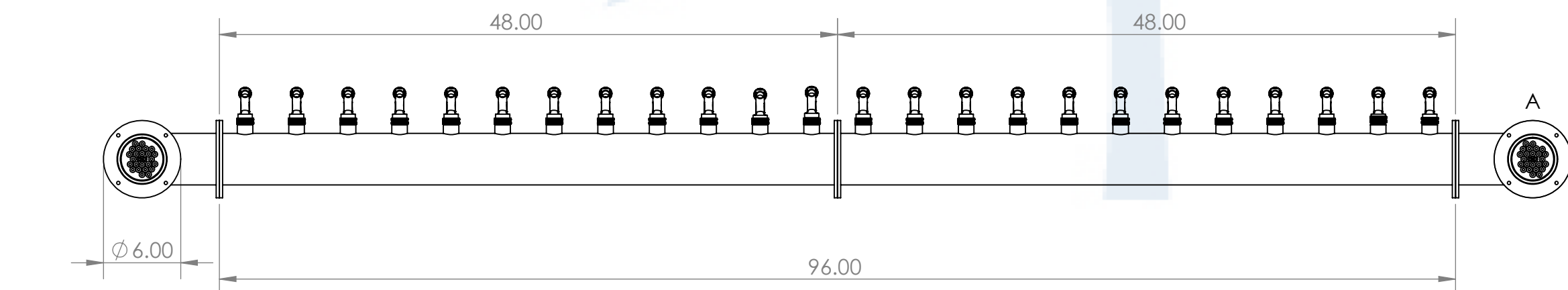


Isometric View
(For reference purpose only)



DETAIL A
SCALE 1 : 2



Suggested Drip Tray:
 2 x BB701351 - 51" x 7" BSS Drip Tray
 2 x BB702451 - 51" x 7" BSS Spray Drip Tray



Name		Date		Title:	
Drawn by:	Canadian Beverage Supply Inc.	11/23/2022		4" 24 Tap Lions Gate Tower	
Approved by:	VP Sales				
Material:	304 SS	Finish:	Polished SS	Part Number:	BB102630-24SSCK
Unless otherwise mentioned, dimensions are <u>inches</u>				Revision:	
				SCALE:	1:10
				SHEET 1 OF 1	